

SV-200 "BRICK"

ENGINEERING, MANUFACTURING & INTEGRATION, AND LIFECYCLE MANAGEMENT



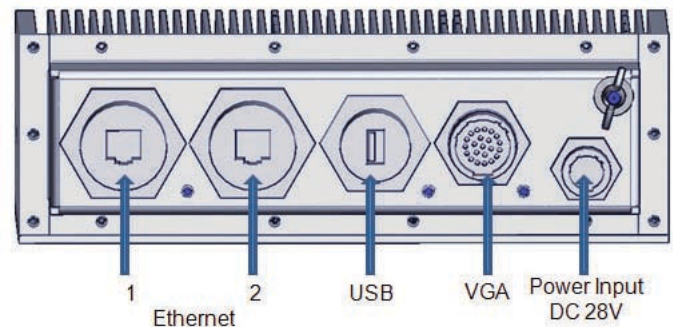
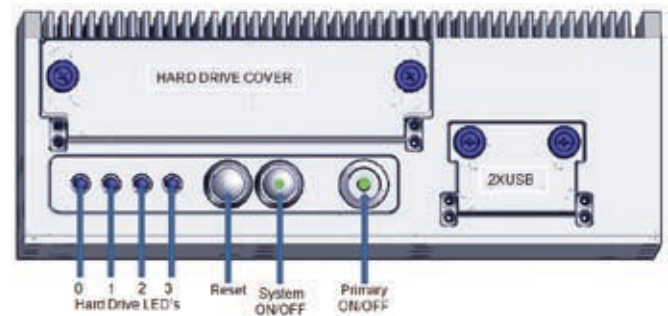
2010 PORTFOLIO - SMALL FORM FACTOR SERVERS & WORKSTATIONS

RUGGED COM EXPRESS



Standard Configuration Specifications	
Product Code	SV-200 "Brick"
Product Class	Servers & Workstations
Chassis Type	Conduction Cooled Aluminum
Dimensions	11.5" W x 3.5"H x 13.4"D
Hard Drive	Up-to (4) 1.8" SATA Removable Hard Drives
Hard Drive Carrier	Locking HD Mechanism (No Thumbscrews)
Storage Protocol	SATA
Storage Encryption	Optional 128, 192 or 256-bit SATA to SATA Encryption Engine (Available Q1 2010) NIST and CSE Certified Hardware AES (Advanced Encryption Standard) Algorithm
Power Input	28VDC Input (MIL/Locking Connector)
Software	Windows Vista®, XP, XP Embedded, Embedded CE Windows 7 Coming Q4 Linux Contact Sales Rep for Options
External Button Boards	Primary On/Off, System On/Off, Reset Various Bezel Button / Mouse configurations are available upon request.
Pointer	Optional Wireless Mouse
Keyboard	Optional Wireless Backlit Keyboard

Platform IO Specifications	
28 VDC Power Input	1 (MIL/Locking Connector)
Graphics Adapter	COMExpress Graphics Engine Dual Display Support (VGA & DVI)
VGA Port	1 (MIL Connector)
USB 2.0 Port	4 (MIL/Locking Connector)
10/100/1000 Ethernet	2 RJ-45 Ports (MIL Connector)
Mini PCI Express Slots	2 Internal Optional modules include GPS, 802.11, Bluetooth Cellular Data Modem, Video Capture
System Diagnostics	Optional Port 80h



Rugged. Reliable. Ready.™

SV-200 "BRICK"

ENGINEERING, MANUFACTURING & INTEGRATION, AND LIFECYCLE MANAGEMENT



2010 PORTFOLIO - SMALL FORM FACTOR SERVERS & WORKSTATIONS

COMExpress Module Options			
CPU Module Options	Intel® Core™ i7 SV and i5 processors	Intel® Core™2 Duo SL 9400 Low Voltage	Intel® Atom™ N270
Clock Speed	2.00 GHz (Up-To 2.53 GHz)	1.86 GHz (Up-To 2.53 GHz)	1.6 GHz (Up-To 2.53 GHz)
Cache	Up-To 4 MB L2 Cache	Up-To 6 MB L2 Cache	512 MB Cache
Chipset	Intel® Mobile QM57	Intel® GS45, GM45 and GL40	Intel® 945GME, 82801GHM
Hyper-Threading Support	Yes	Yes	Yes
Memory	Up-To 8 GB Dual Channel DDR3	Up-To 8 GB Dual Channel DDR3	Up-To 4 GB Dual Channel DDR2
Bus Speed	800/1066 MHz	667/800/1066 MHz	533 MHz
Ethernet	10/100/1000 Mbit Ethernet	10/100/1000 Mbit Ethernet	10/100/1000 Mbit Ethernet
Ethernet Controller	Intel® 82557	Intel® 82567	Realtek RTL8111
Hard Disk	4x SerialATA (3Gb/Sec), 1x PATA	4x SerialATA 300 (AHCI, RAID), 1x PATA	2x SerialATA (PATA Optional)
RAID		0 1	0 1
USB (Internal)	8x USB 2.0	8x USB 2.0	8x USB 2.0
Audio Controller	Intel® High Definition Audio	Intel® High Definition Audio	Digital High Definition Audio Interface with Support for Multiple Codecs
Graphics Controller	Integrated Intel® Core™ i7 or i5 Graphics Controller	Intel® GMA X4500 integrated (DirectX® 10, PS 4.0, DVM T 4.0), 1 x PEG x16	Intel® Graphics Media Accelerator 950, Enhanced 256 Bit 3D Video Controller, Up-To 10.6 GB/Sec Memory Bandwidth
PCI Express / PCI Support	6x PCI Express Lanes on Type 2, 1 PEG x16 / PCI Rev 2.3 @ 33 MHz	5x PCI Express Lanes (1 x PCI Express x4 Possible), 1 x PEG x16 / PCI Rev 2.3 @ 33 MHz	5x PCI Express Lanes, PCI Express Graphic (PEG x16), PCI, I ² C / PCI Rev 2.3 @ 33 MHz
Resolution Support	LVDS: Up to UXGA (1600x1200) CRT: Up to QXGA (2048x1536)	LVDS: Up to UXGA (1600x1200) CRT: Up to QXGA (2048x1536)	LVDS: Up to WUXGA (1920x1200) CRT: Up to QXGA (2048x1536)
Security Feature	TPM 1.2 integrated in ICH9M	TPM 1.2 integrated in ICH9M	TPM 1.2/TCPA Security Functions Optional

Environmental Specifications			
Operating (O) Temperature	Tested per Requirement: 0°C to 60°C, MIL-STD 810G	Vibration	Tested per Requirement: MIL-STD 810G
Non-operating (N) Temperature	Tested per Requirement: -10°C to 85°C, MIL-STD 810G	Fungus/Mold	Tested per Requirement: MIL-STD 810G
Altitude	Tested per Requirement: (O) 15,000 ft, MIL-STD-810G	Salt/Fog	Tested per Requirement: MIL-STD 810G
Humidity	Tested per Requirement: (O) 10-90%RH, (N) 5-95% Non Condensing, MIL-STD-810G	Sand and Dust	Tested per Requirement: MIL-STD 810G
Shock	Tested per Requirement: MIL-STD 810G	Warranty	(1) Year Parts and Labor Guarantee
		Tech Support	24x7 Technical Support Provided By TAG

TAG IS IT™

